

World Travel Adapter - Private Label order form



Logo vertical

Logo horizontal

World Travel Adapter Private Label 1

Customer logo 1 colour and more
With branded logo & Swiss Travel Products logo on bottom



Logo vertical

Logo horizontal

World Travel Adapter Private Label 2

Customer logo 1 colour and more
With branded logo only



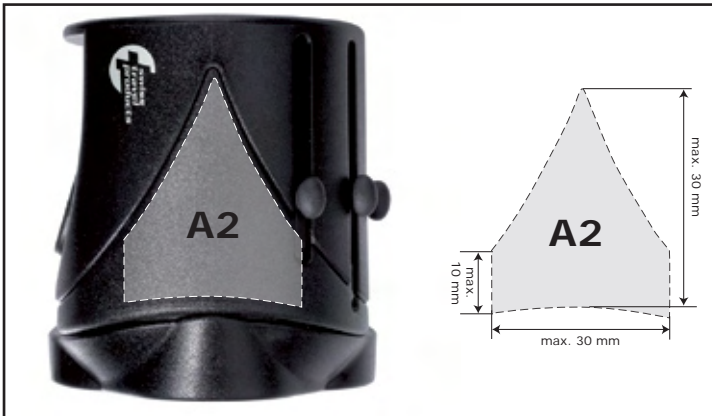
Logo vertical

Logo horizontal

World Travel Adapter with USB Private Label 3 – only top

Customer logo 1 colour and more
With branded logo only or
with branded logo & Swiss Travel Products logo

World Travel Adapter in Blister - Private Label order form



Site A Frontside with Swiss Travel Products logo

A2

◦ Logo horizontal Size: _____ ◦ Logo vertical Size: _____

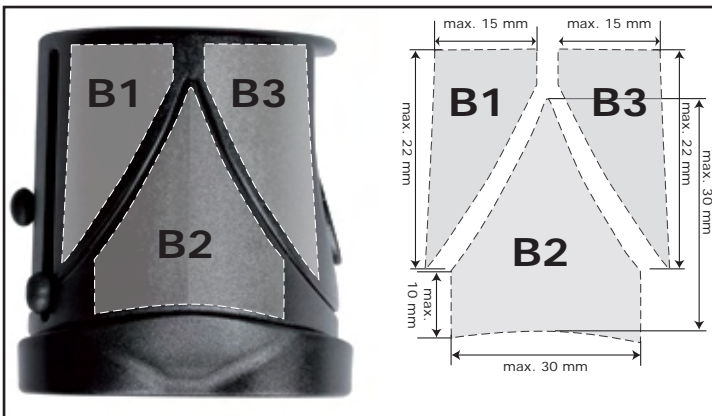
Colour 1: RAL: _____ Pantone: _____

Colour 2: RAL: _____ Pantone: _____

Colour 3: RAL: _____ Pantone: _____

Colour 4: RAL: _____ Pantone: _____

Colour 5: RAL: _____ Pantone: _____



Site B behind

B1

◦ Logo horizontal Size: _____ ◦ Logo vertical Size: _____

Colour 1: RAL: _____ Pantone: _____

Colour 2: RAL: _____ Pantone: _____

Colour 3: RAL: _____ Pantone: _____

Colour 4: RAL: _____ Pantone: _____

Colour 5: RAL: _____ Pantone: _____

B2

◦ Logo horizontal Size: _____ ◦ Logo vertical Size: _____

Colour 1: RAL: _____ Pantone: _____

Colour 2: RAL: _____ Pantone: _____

Colour 3: RAL: _____ Pantone: _____

Colour 4: RAL: _____ Pantone: _____

Colour 5: RAL: _____ Pantone: _____

B3

◦ Logo horizontal Size: _____ ◦ Logo vertical Size: _____

Colour 1: RAL: _____ Pantone: _____

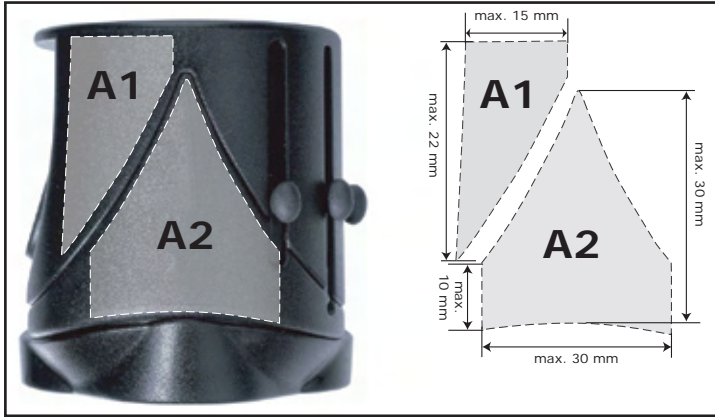
Colour 2: RAL: _____ Pantone: _____

Colour 3: RAL: _____ Pantone: _____

Colour 4: RAL: _____ Pantone: _____

Colour 5: RAL: _____ Pantone: _____

World Travel Adapter in Giftbox - Private Label order form



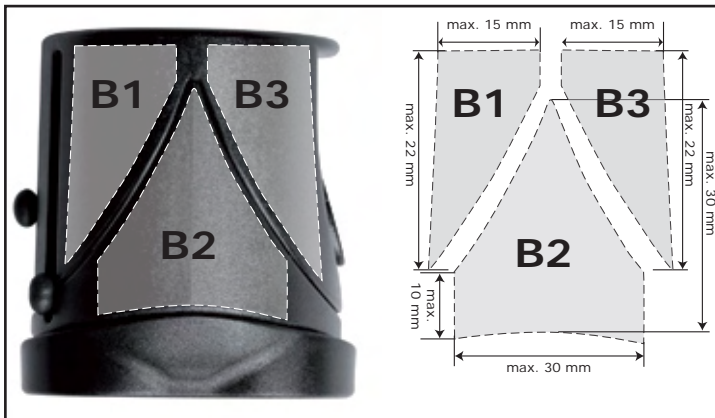
Site A Frontside without Swiss Travel Products logo

A1

- Logo horizontal ◦ Logo vertical
- Size: _____ Size: _____
- Colour 1: RAL: _____ Pantone: _____
- Colour 2: RAL: _____ Pantone: _____
- Colour 3: RAL: _____ Pantone: _____
- Colour 4: RAL: _____ Pantone: _____
- Colour 5: RAL: _____ Pantone: _____

A2

- Logo horizontal ◦ Logo vertical
- Size: _____ Size: _____
- Colour 1: RAL: _____ Pantone: _____
- Colour 2: RAL: _____ Pantone: _____
- Colour 3: RAL: _____ Pantone: _____
- Colour 4: RAL: _____ Pantone: _____
- Colour 5: RAL: _____ Pantone: _____



Site B behind

B1

- Logo horizontal ◦ Logo vertical
- Size: _____ Size: _____
- Colour 1: RAL: _____ Pantone: _____
- Colour 2: RAL: _____ Pantone: _____
- Colour 3: RAL: _____ Pantone: _____
- Colour 4: RAL: _____ Pantone: _____
- Colour 5: RAL: _____ Pantone: _____

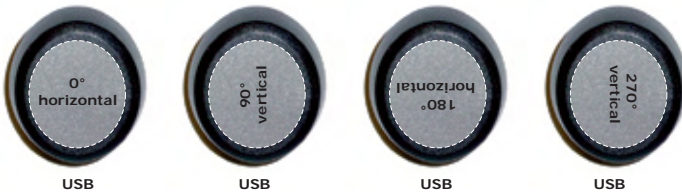
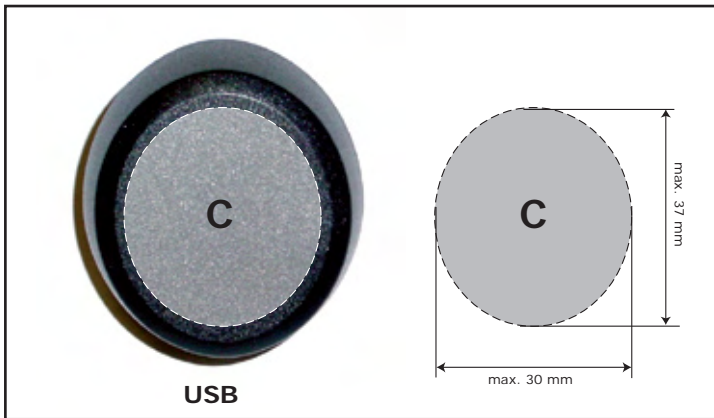
B2

- Logo horizontal ◦ Logo vertical
- Size: _____ Size: _____
- Colour 1: RAL: _____ Pantone: _____
- Colour 2: RAL: _____ Pantone: _____
- Colour 3: RAL: _____ Pantone: _____
- Colour 4: RAL: _____ Pantone: _____
- Colour 5: RAL: _____ Pantone: _____

B3

- Logo horizontal ◦ Logo vertical
- Size: _____ Size: _____
- Colour 1: RAL: _____ Pantone: _____
- Colour 2: RAL: _____ Pantone: _____
- Colour 3: RAL: _____ Pantone: _____
- Colour 4: RAL: _____ Pantone: _____
- Colour 5: RAL: _____ Pantone: _____

World Travel Adapter - Private Label order form



Front

C

- 0° horizontal ◦ 90° vertical
- Size: _____ Size: _____
- 180° horizontal ◦ 270° vertical
- Size: _____ Size: _____
- with Swiss Travel Products logo

Colour 1: RAL: _____ Pantone: _____

Colour 2: RAL: _____ Pantone: _____

Colour 3: RAL: _____ Pantone: _____

Colour 4: RAL: _____ Pantone: _____

Colour 5: RAL: _____ Pantone: _____